

High Speed - Large Format Cutting



**“Our DCT range of machinery gives you speed, precision
And accuracy over your creative cutting projects & available
With a wide range of tools for specific applications”**



**Signs & Graphics, Packaging, Upholstery
Apparel**



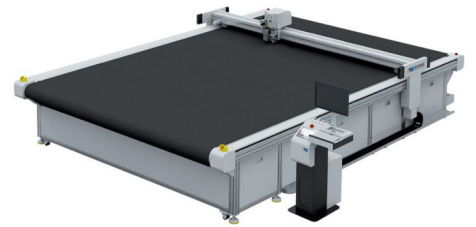
High Speed Digital Cutting



Model BK03II
No conveyor



Model CB03II
Most popular



Model CB08II
Higher capacity

Tooling Types and applications

Choose tooling specific to your application

Oscillating Cutting Tool

For kinds of corrugated paper, cardboard, grey board ;



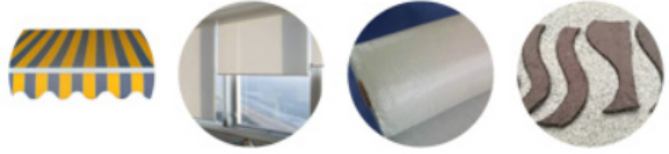
KISS-CUT Tool

For kiss cutting on thin multi-layer materials ;



Rotary tool

Can cut UV fabric, carbon fiber, glass fiber and textiles ;



V-CUT Tool

For 0, 15, 22.5, 30, 45 degree bevel cutting and materials up to 20mm thickness ;



V-cut for grey board



V-cut for photo frame board

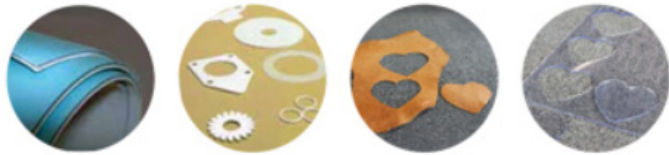


V-cut for folding cardboard



Non-Oscillating Tool

Tool for kinds of soft materials up to 5mm thickness, as cardboard ;



Center-aligned drag knife

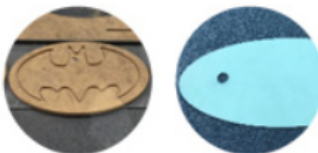


Off-centered drag knife



Router Tool

For Acrylic board, composite materials and high-density materials ;



1050W Router



Φ3.175



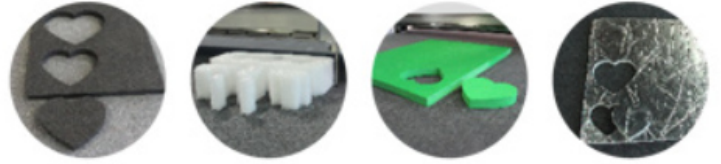
Φ4



Φ6

Foam Cutting Tool

For cutting foam board up to 50mm thickness ;



Creasing Tools

Creases a variety of materials. Directional pressure adjustments for creasing with or against corrugation ;



BK03II Series

BK03II-2516RM

Effective Working Area (mm)	2500*1600			
-----------------------------	-----------	--	--	--

CB03II Series

CB03II-2513RM

CB03II-2516RM

CB03II-1113

CB03II-1816RM

Effective Working Area (mm)	2500*1300	2500*1600	1100*1300	1800*1600
-----------------------------	-----------	-----------	-----------	-----------

CB08II Series

CB08II-2516PM

CB08II-3516PM

CB08II-5516PM

CB08II-2520PM

CB08II-3520PM

CB08II-5520PM

CB08II-3032PM

Effective Working Area (mm)	2500*1600	3500*1600	5500*1600	2500*2000	3500*2000	5500*2000	3000*3200
-----------------------------	-----------	-----------	-----------	-----------	-----------	-----------	-----------

Premium 12 months warranty included*

BK03-II, CB03-II & CB08-II Range Specifications

Equipment BK03II Range (single interchangeable head)

Plotting Pen	Sound absorbing cutting mat	CCD camera registration	Auto depth setting device	LED touchscreen
Anti crash device	Laser locating system	Software and dongle	Vacuum pump & air compressor	Wheeled base for easy machine location

Choose from our range of tools and extras to tailor the CB03-II to your business needs.

Standard Features BK03II Range

Table type	Static vacuum bed system - Conveyor included	
Safety device	Infrared sensor - Auto stop.	
Max. traversing speed	Up to 1200 mm/s.	
Cutting speed	Up to 800 mm/s (material dependant).	
Cutting thickness	Upto 22mm - Tool and material dependant.	
Popular cutting materials	All kinds of corrugated paper/card, grey cardboard, KT board, PVC expansion sheet, honey comb plate, car sticker, flag and fabric, EPE foam, foam, acrylic (router head only).	
Repeat accuracy	≤0.01mm	
Buffer memory	2GB.	
Interface	Ethernet port.	
Transmission system	Digital servo drivers, square rails, synchronous belt and ball screw on the Z axis.	
Control panel	LED touch screen	
Power Supply	AC 380V ±10% 3 phase 32 amp supply on machine rated D breaker.	
Command system	HP-GL compatible format. PC & software included.	
Supported Formats	DXF, DWG, DST, BMP, AI, PSD, CAD, CAM, JPEG, PDF	
Delivery	UK mainland included (offloading and siting of the machine is the end users responsibility; we will however advise all our customers should they need assistance with this).	
Installation	Our professional installation team will set up your new machine to the highest of standards. Please note you must have the correct electrical outputs installed pre installation (customer responsibility) - We will advise you on what is required.	
Training	You will receive full training on the machine and it's safe operation including best practices and general software use.	
Warranty	*12 months standard parts and labour warranty (6 months on the laser tube) with extended warranty periods available.	

Premium 12 months warranty included*

BK03-II, CB03-II & CB08-II Range Specifications

Equipment **CB03II** Range

Plotting Pen	Sound absorbing cutting mat	CCD camera registration	Auto depth setting device	LED touchscreen
Anti crash device	Laser locating system	Software and dongle	Vacuum pump & air compressor	Wheeled base for easy machine location

Choose from our range of tools and extras to tailor the CB03-II to your business needs.

Standard Features **CB03II** Range

Table type	Auto feed with vacuum system (Conveyor not available on the CB03II-1113)	
Safety device	Infrared sensor - Auto stop.	
Max. traversing speed	Up to 1500 mm/s.	
Cutting speed	Up to 1200 mm/s (material dependant).	
Cutting thickness	Upto 50mm - Tool and material dependant.	
Popular cutting materials	All kinds of corrugated paper/card, grey cardboard, KT board, PVC expansion sheet, honey comb plate, car sticker, flag and fabric, EPE foam, foam, acrylic (router head only).	
Repeat accuracy	≤0.01mm	
Buffer memory	2GB.	
Interface	Ethernet port.	
Transmission system	Digital servo drivers, square rails, synchronous belt and ball screw on the Z axis.	
Control panel	LED touch screen	
Power Supply	AC 380V ±10% 3 phase 32 amp supply on machine rated D breaker.	
Command system	HP-GL compatible format. PC & software included.	
Supported Formats	DXF, DWG, DST, BMP, AI, PSD, CAD, CAM, JPEG, PDF	
Delivery	UK mainland included (offloading and siting of the machine is the end users responsibility; we will however advise all our customers should they need assistance with this).	
Installation	Our professional installation team will set up your new machine to the highest of standards. Please note you must have the correct electrical outputs installed pre installation (customer responsibility) - We will advise you on what is required.	
Training	You will receive full training on the machine and it's safe operation including best practices and general software use.	
Warranty	*12 months standard parts and labour warranty (6 months on the laser tube) with extended warranty periods available.	

Premium 12 months warranty included*

BK03-II, CB03-II & CB08-II Range Specifications

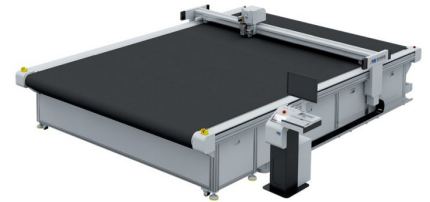
Equipment **CB08II** Range

Plotting Pen	Sound absorbing cutting mat	CCD camera registration	Auto depth setting device	LED touchscreen
Anti crash device	Laser locating system	Software and dongle	Vacuum pump & air compressor	Wheeled base for easy machine location

Choose from our range of tools and extras to tailor the CB03-II to your business needs.

Standard Features **CB08II** Range

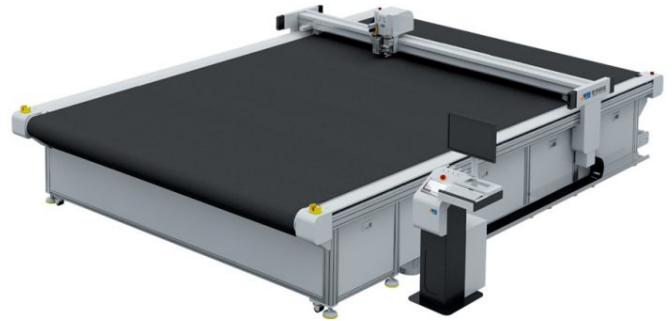
Table type	Auto feed with vacuum system on all CB08-II models
Safety device	Infrared sensor - Auto stop.
Max. traversing speed	Up to 1500 mm/s.
Cutting speed	Up to 1200 mm/s (material dependant).
Cutting thickness	Upto 50mm - Tool and material dependant.
Popular cutting materials	All kinds of corrugated paper/card, grey cardboard, KT board, PVC expansion sheet, honey comb plate, car sticker, flag and fabric, EPE foam, foam, acrylic (router head only).
Servo precision	≤0.01mm
Repeat accuracy	≤0.05mm
Buffer memory	2GB.
Interface	Ethernet port.
Transmission system	Digital servo drivers, square rails, synchronous belt and ball screw on the Z axis.
Control panel	LED touch screen
Power Supply	AC 380V ±10% 3 phase 32 amp supply on machine rated D breaker.
Command system	HP-GL compatible format. PC & software included.
Supported Formats	DXF, DWG, DST, BMP, AI, PSD, CAD, CAM, JPEG, PDF
Delivery	UK mainland included (offloading and siting of the machine is the end users responsibility; we will however advise all our customers should they need assistance with this).
Installation	Our professional installation team will set up your new machine to the highest of standards. Please note you must have the correct electrical outputs installed pre installation (customer responsibility) - We will advise you on what is required.
Training	You will receive full training on the machine and it's safe operation including best practices and general software use.
Warranty	*12 months standard parts and labour warranty (6 months on the laser tube) with extended warranty periods available.



Premium 12 months warranty included*



Model CB03II
Most popular



Model CB08II
Higher capacity

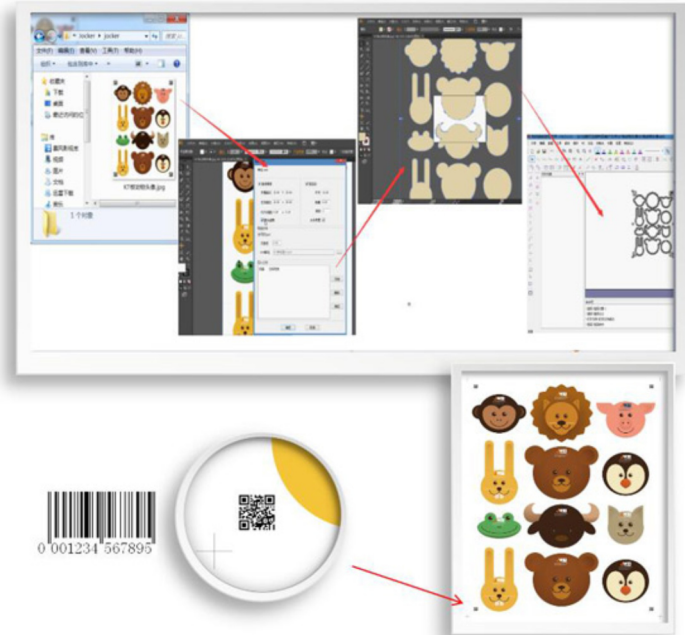
Other optional equipment:

Automatic sheet feeding device (1.6 width)

Automatic sheet feeding device (2.1width)

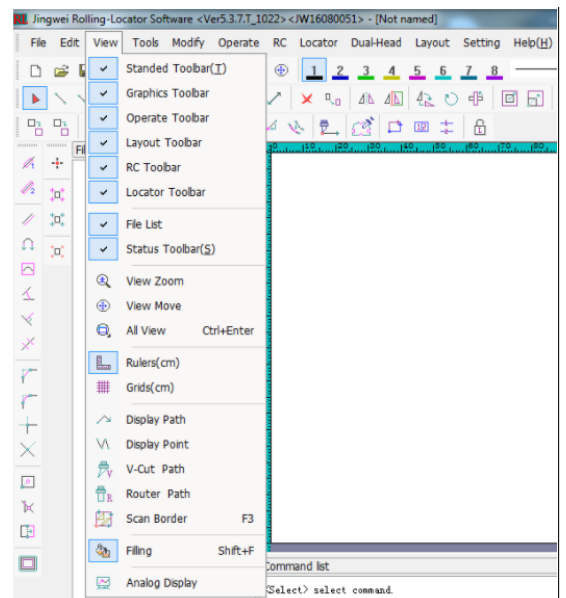
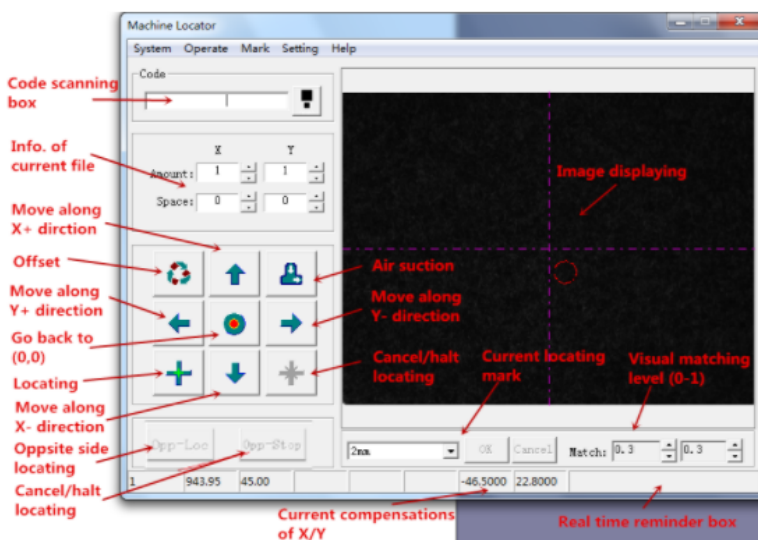
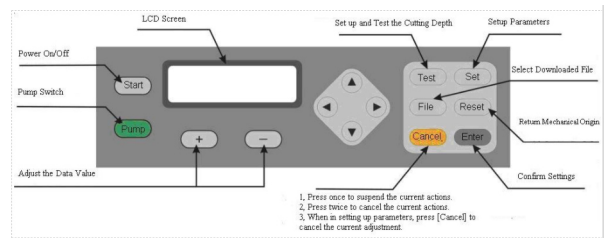
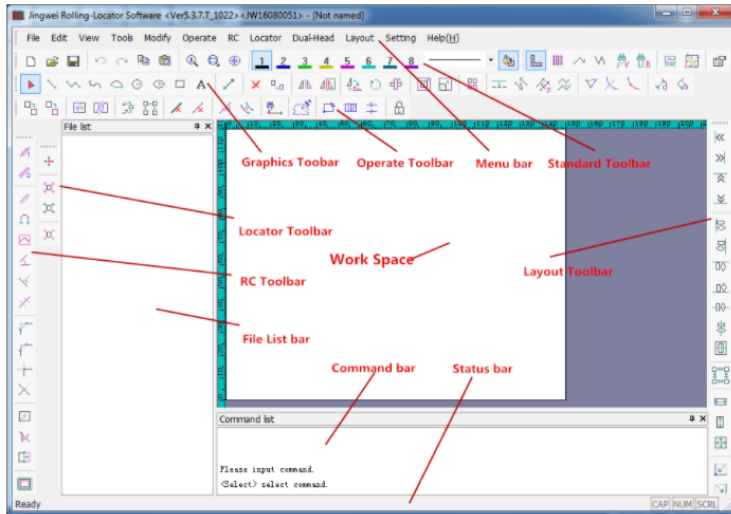
Automatic roll material feeding device (3.2m)

- ▶ Self-developed
- ▶ Friendly graphical interface
- ▶ HPGL, PLT, LOG, DXF (AutoCAD Tm), XML
- ▶ Intelligent automatically nesting
- ▶ Cutting path recognizing and tracking
- ▶ Convenient graphic file management



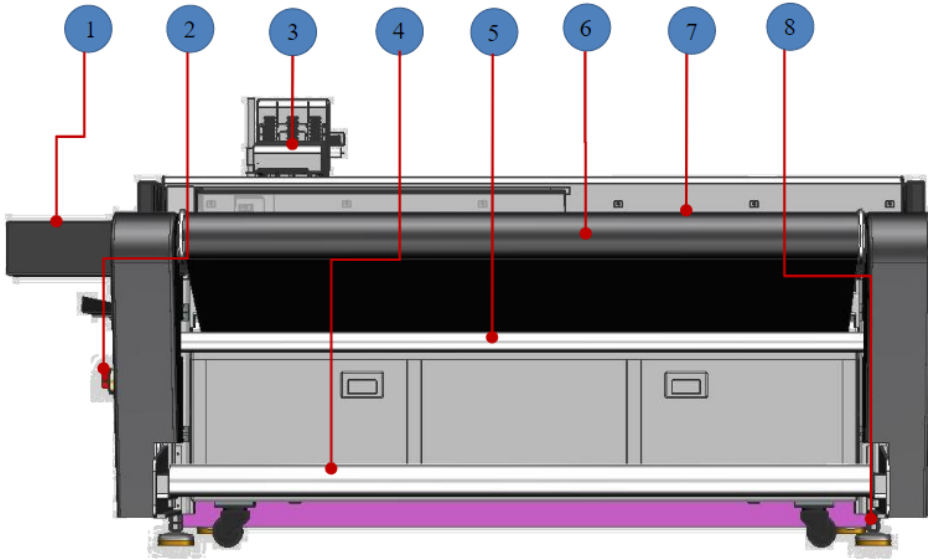
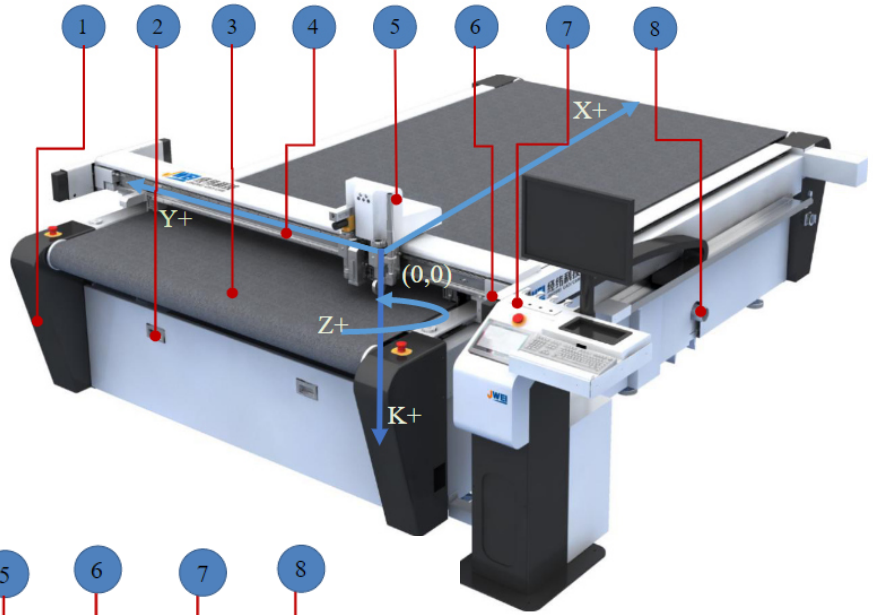
Software screenshots

Control panel



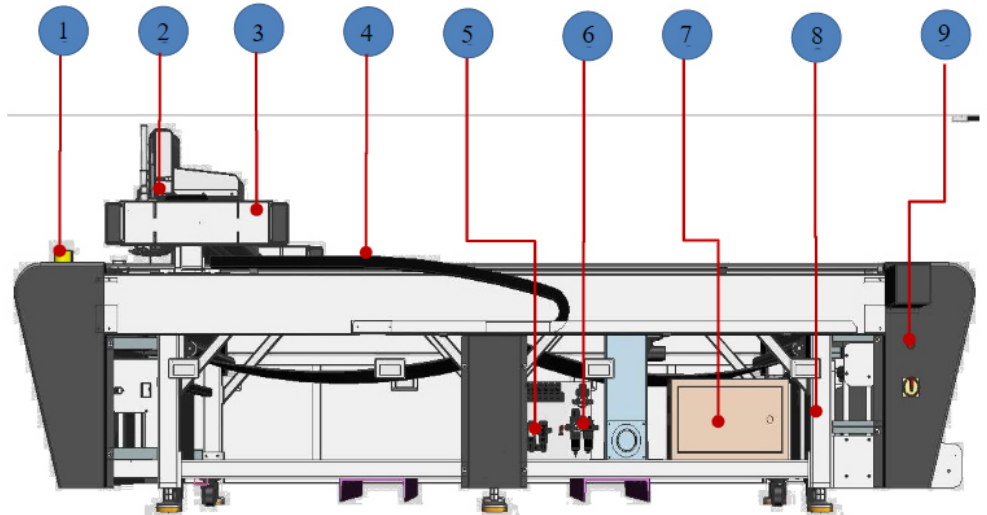
CB03II & CB0811 System & Parts

1. Machine body
2. Internal control system
3. Cutting surface
4. Gantry
5. Multi-function cutting head
6. Crash prevention system
7. Control console
8. Vacuum outlet



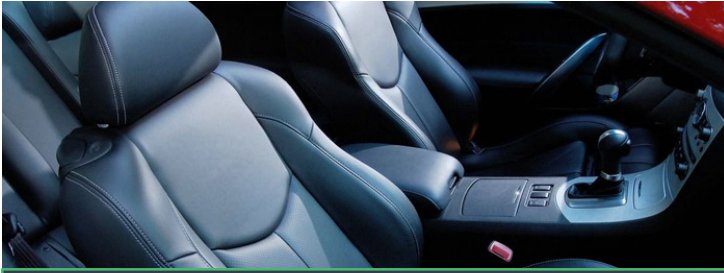
1. X drive motor & reducer
2. Main power supply switch
3. Rear mounting plate (cutting head control board)
4. Material holder for holding and feeding roll material
5. Auxiliary shaft to prevent roll material from creasing/wrinkling
6. Felt belt - conveyor to transport materials
7. Clamping system to secure material on the felt feed bed
8. Support feet

1. Emergency stop
2. Chip collector (when configured with router head)
3. Crash prevention safety system
4. X axis power track
5. Solenoid for independent vacuum zones
6. Compressed air pressure adjuster for felt belt clamping
7. High voltage control panel
8. Body frame
9. Main power light

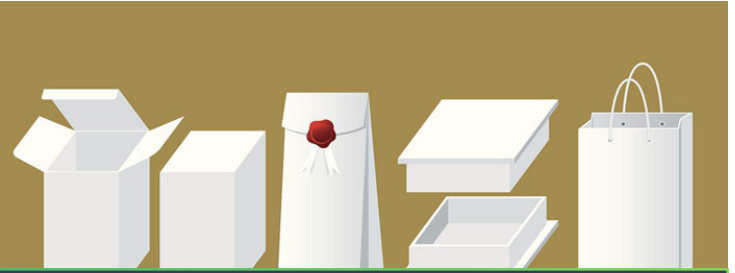




1. Camera power supply indicator
2. K-Slot tooling power indicator
3. K-Tool holder for oscillating tool, rotary tool, drag knife, kiss-cut tool and pneumatic up/down wheel cutting tool
4. Camera enclosure
5. LED light on/off for camera system
6. Power indicator for K1 mounted tools
7. K1 tool holder for creasing tool, rotary tool, drag knife, router head, v-cut tool, kiss-cut tool
8. Pen tool holder



Vehicle Interiors



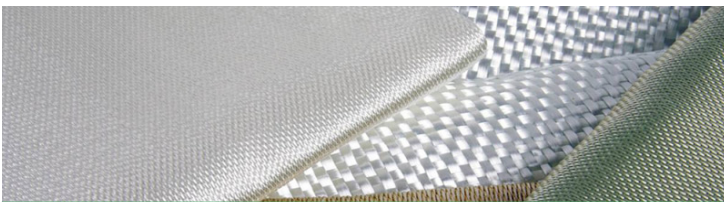
Printing & Packaging



Clothing & Apparel



Upholstery



Composites



Signage & Graphics

What Will You Make? Call Us Today
Speak with one of our industry experts.

0121 541 1444